

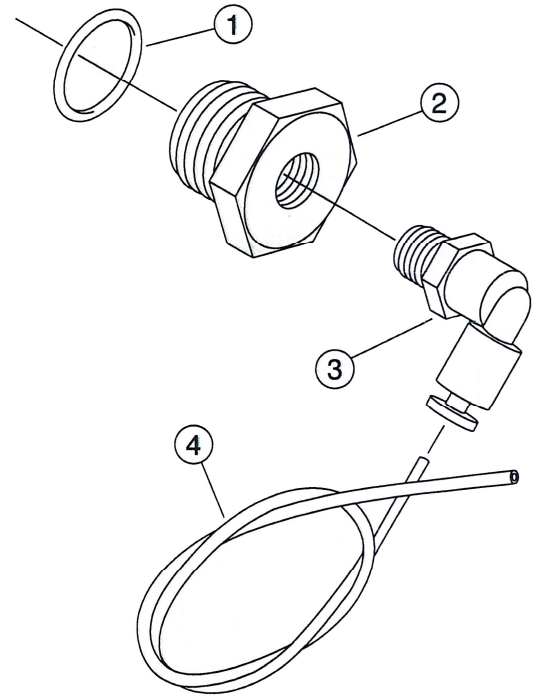
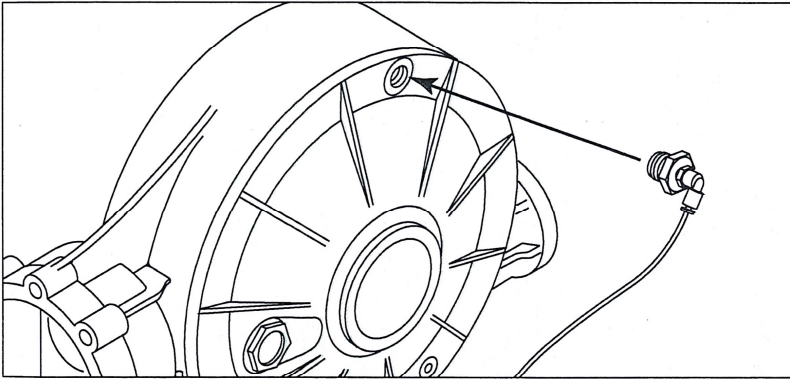


Winters Performance Products, Inc.
1580 Trolley Road
York, PA 17408 USA
717.764.9844
Fax: 717.764.0617
www.wintersperformance.com

P/N 2966 BREATHER ASSEMBLY

#	P/N	Description
1	8405	O' Ring, Adapter
2	8070	Adapter Plug, Breather
3	8074	Fitting, Breather
4	8075	Poly Tubing, 16" Length

Illustration below shows location of the breather assembly when installed.



WP328
© 2019 Winters See catalog or web site for limited warranty & venue provision.