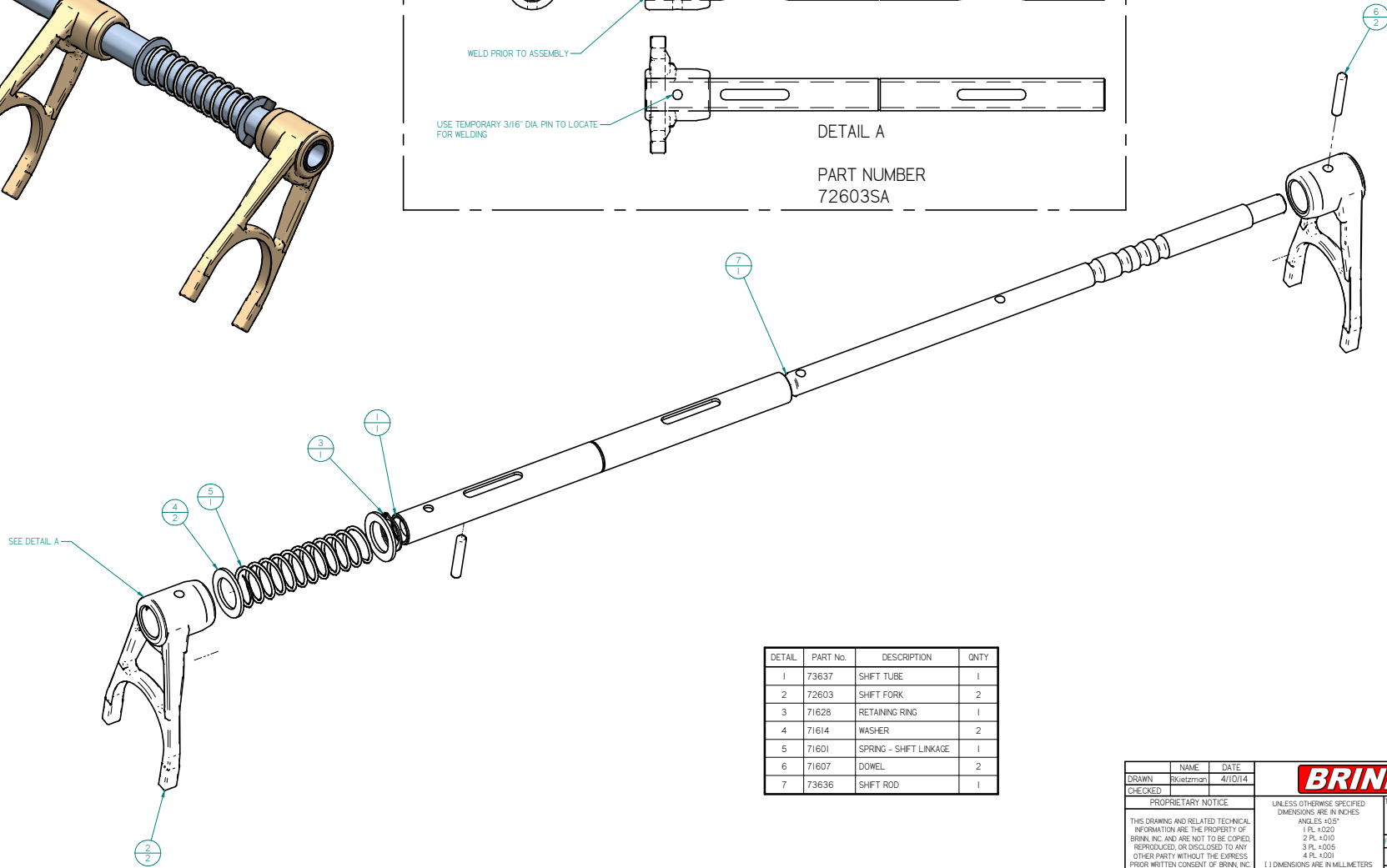


DETAIL A

PART NUMBER
72603SA



SEE DETAIL A

REVISION HISTORY			
REV	DESCRIPTION	DATE	BY

DETAIL	PART No.	DESCRIPTION	QNTY
1	73637	SHIFT TUBE	1
2	72603	SHIFT FORK	2
3	71628	RETAINING RING	1
4	71614	WASHER	2
5	71601	SPRING - SHIFT LINKAGE	1
6	71607	DOWEL	2
7	73636	SHIFT ROD	1

<table border="1"> <tr> <td>NAME</td> <td>DATE</td> </tr> <tr> <td>BRINN</td> <td>4/10/14</td> </tr> </table>	NAME	DATE	BRINN	4/10/14	<p>BRINN 1615 Tech Drive Ray City, MI 48706 Phone: 989.686.8000 Fax: 989.686.6520</p>	<p>TITLE PREDATOR TRANSMISSION INTERNAL SHIFT MECHANISM ASSEMBLY</p>
NAME	DATE					
BRINN	4/10/14					
<p>PROPRIETARY NOTICE THIS DRAWING AND RELATED TECHNICAL INFORMATION ARE THE PROPERTY OF BRINN, INC. AND ARE NOT TO BE COPIED, REPRODUCED, OR DISCLOSED TO ANY OTHER PARTY WITHOUT THE EXPRESS PRIOR WRITTEN CONSENT OF BRINN, INC.</p>	<p>UNLESS OTHERWISE SPECIFIED DIMENSIONS ARE IN INCHES ANGLES 10:1 1 PL #020 2 PL #010 3 PL #005 4 PL #001 (1) DIMENSIONS ARE IN MILLIMETERS (1) REFERENCE DIMENSION</p>	<p>FILE NAME: shift assembly exploded.dwg SIZE DWG NO 70600 D 11 SCALE 1:1 JOB - REV -</p>				

PART MUST BE FREE OF BURRS OR FLASHING WHICH MAY BE DETRIMENTAL TO SATISFACTORY ASSEMBLY. SAFE HANDLING, APPEARANCE, OR FUNCTION.